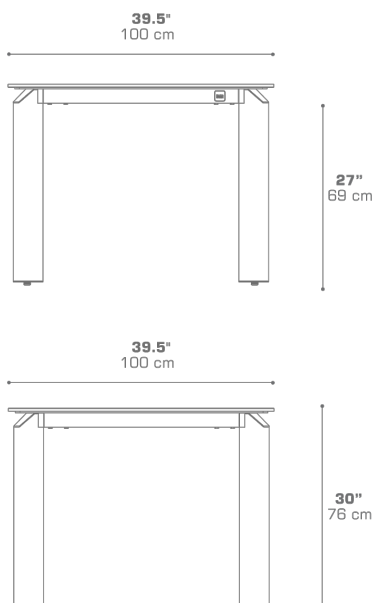


**TITAN Square Dining Table 39.5" / 100 cm
(Sintered Stone)**

TIT06ST

**DIMENSIONS****CONFIGURATIONS**

FRAME : Powder Coating Aluminum
TOP : Sintered Stone

Protective Cover :
TIT06PC Top table only
TITPC-3 Table + 4 Chairs

PACKING DETAILS

NW : 134 lb | 61 kg
GW : 188 lb | 85.5 kg
VOL : 15 ft³ | 0.42 m³
PU : 1 Crate & 2 Boxes

DOWNLOAD MATERIALS

[Powder Coating Colors](#)
[Sintered Stone](#)