

MUNIA NAYA Corner
MUN120



Protective cover available



Suitable for rooftop

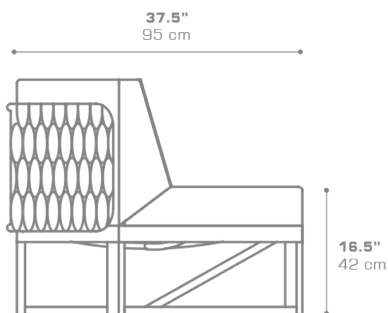
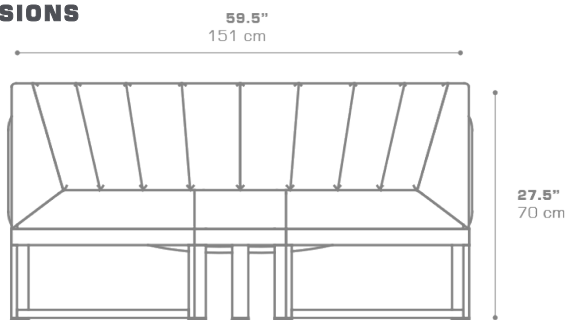


Heavier than regular items, suitable for more windy areas



Partially handcrafted, random imperfections are part of the design

DIMENSIONS



CONFIGURATIONS

| | |
|---------|---------------------------|
| FRAME | : Powder Coated Aluminum |
| SHELL | : Braiding |
| CUSHION | : Grade A B C D E |

PACKING DETAILS

| | |
|-----|--|
| VOL | : 33 ft ³ 0.94 m ³ |
| NW | : 51 lb 23 kg |
| GW | : 79 lb 36 kg |
| PU | : 1 / box |
| COM | : 5.5 ly |

DOWNLOAD MATERIALS

- [Powder Coating Colors](#)
- [Textiles](#)
- [Braiding](#)