

MUNIA NAYA Hug (High Back)
MUN112H



Protective cover available



Floor Mounting is included



Suitable for rooftop

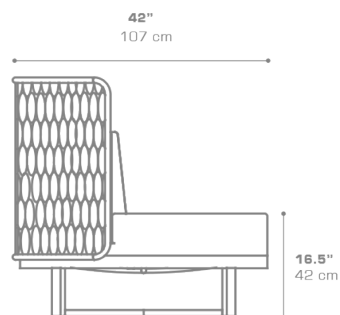
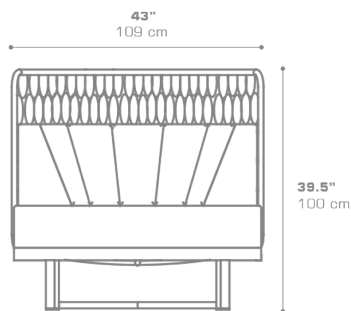


Partially handcrafted, random imperfections are part of the design



Heavier than regular items, suitable for more windy areas

DIMENSIONS



CONFIGURATIONS

FRAME	: Powder Coated Aluminum
SHELL	: Braiding
CUSHION	: Grade A B C D E

Protective Cover :
MUN012HPC

PACKING DETAILS

VOL	: 47 ft ³ 1.33 m ³
NW	: 57 lb 26 kg
GW	: 95 lb 43 kg
PU	: 1 / box
COM	: 5.5 ly

DOWNLOAD MATERIALS

[Powder Coating Colors](#)
[Textiles](#)
[Braiding](#)