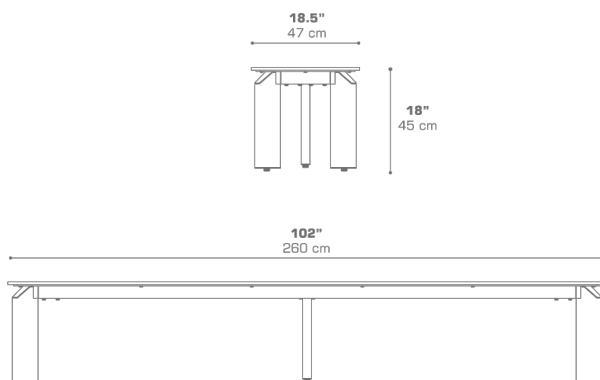


TITAN Bench 102" / 260 cm (Teak)
TIT08TEAK**DIMENSIONS****CONFIGURATIONS**

FRAME	: Powder Coating Aluminum
SEATREST	: Recycled Teak Brushed

PACKING DETAILS

VOL	: 9 ft ³ 0.26 m ³
NW	: 154 lb 70 kg
GW	: 176 lb 80 kg
PU	: 2 Boxes

DOWNLOAD MATERIALS

[Powder Coating Colors](#)
[Teak](#)