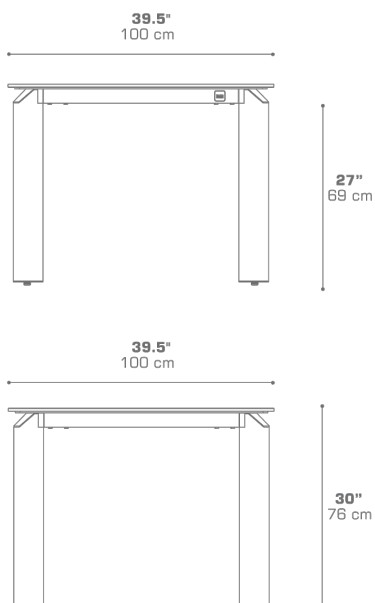


TITAN Square Dining Table 39.5" / 100 cm (HPL)
TIT06HPL**DIMENSIONS****CONFIGURATIONS**

FRAME	: Powder Coating Aluminum
TOP	: High Pressure Laminate (HPL)

PACKING DETAILS

NW	: 113 lb 51 kg
GW	: 131.5 lb 60 kg
VOL	: 8.5 ft ³ 0.24 m ³
PU	: 2 Boxes

DOWNLOAD MATERIALS

[Powder Coating Colors](#)
[HPL](#)