

GLYPH Tea Table Square 23.5" / 60 cm (HPL Top | Teak Base)
GLY115



Protective cover available



Suitable for rooftop



Heavier than regular items, suitable for more windy areas



Assembly

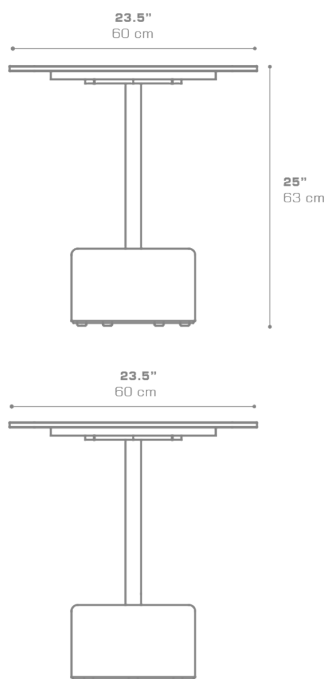


Partially handcrafted, random imperfections are part of the design



Contains recycled parts, random imperfections are part of the design

DIMENSIONS



CONFIGURATIONS

FRAME	: Powder Coated Aluminum Ultra Durable
BASE	: Laminated Teak
TOP	: High Pressure Laminate (HPL)

Protective Cover :
GLY101PC Protective Cover

PACKING DETAILS

VOL	: 4 ft ³ 0.11 m ³
NW	: 40 lb 18 kg
GW	: 55 lb 25 kg
PU	: 2 Boxes

DOWNLOAD MATERIALS

[Powder Coating Colors](#)
[Teak](#)
[HPL](#)