

MUNIA NAYA Curved Left Hand Modular System
(Teak Top | High Back)
MUN315H



Protective cover available



Floor Mounting is included



Suitable for rooftop



Heavier than regular items, suitable for more windy areas

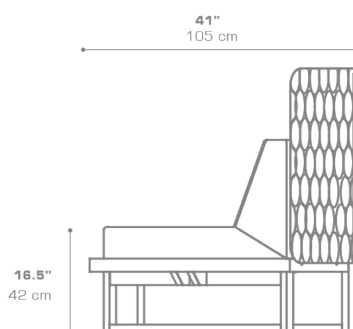
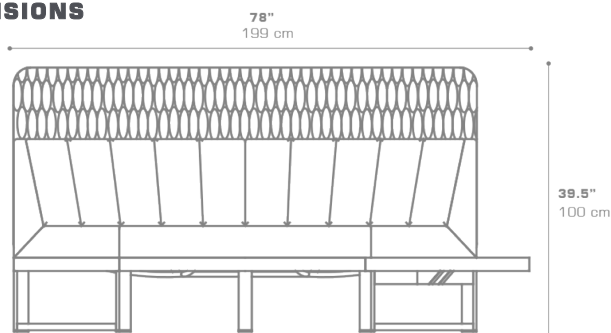


Partially handcrafted, random imperfections are part of the design



Contains recycled parts, random imperfections are part of the design

DIMENSIONS



CONFIGURATIONS

FRAME	: Powder Coated Aluminum
SHELL	: Braiding
CUSHION	: Grade A B C D E
TOP	: Recycled Teak

PACKING DETAILS

VOL	: 83 ft3 2.35 m3
NW	: 95 lb 43 kg
GW	: 146 lb 66 kg
PU	: 1 / box
COM	: 6.5 ly

DOWNLOAD MATERIALS

[Powder Coating Colors](#)

[Teak](#)

[Textiles](#)

[Braiding](#)