

**GLYPH Tea Table 23.5" / 60 cm (HPL Top | Stone Base)**  
GLY35



Protective cover available



Suitable for rooftop

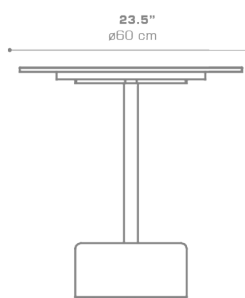
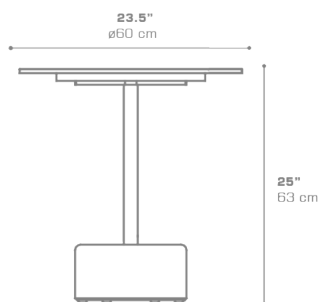


Heavier than regular items, suitable for more windy areas



Assembly

**DIMENSIONS**



**CONFIGURATIONS**

FRAME	: Powder Coated Aluminum Ultra Durable
BASE	: Stone
TOP	: High Pressure Laminate (HPL)

Protective Cover :  
GLY01PC Protective Cover

**PACKING DETAILS**

VOL	: 7 ft <sup>3</sup>   0.19 m <sup>3</sup>
NW	: 68 lb   31 kg
GW	: 88 lb   40 kg
PU	: 2 Boxes

**DOWNLOAD MATERIALS**

[Powder Coating Colors](#)  
[HPL](#)