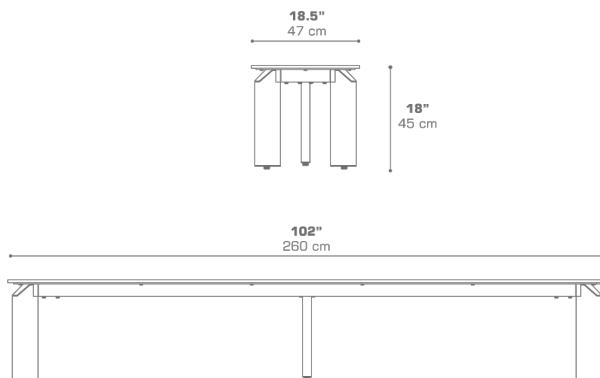


**TITAN Bench 102" / 260 cm (HPL)**  
TIT08HPL

Protective cover available

**DIMENSIONS****CONFIGURATIONS**

FRAME : Powder Coating Aluminum  
SEATREST : High Pressure Laminate (HPL)

Protective Cover :  
TIT08PC

**PACKING DETAILS**

VOL : 8.5 ft<sup>3</sup> | 0.24 m<sup>3</sup>  
NW : 150 lb | 68 kg  
GW : 171.5 lb | 78 kg  
PU : 2 Boxes

**DOWNLOAD MATERIALS**

[Powder Coating Colors](#)  
[HPL](#)