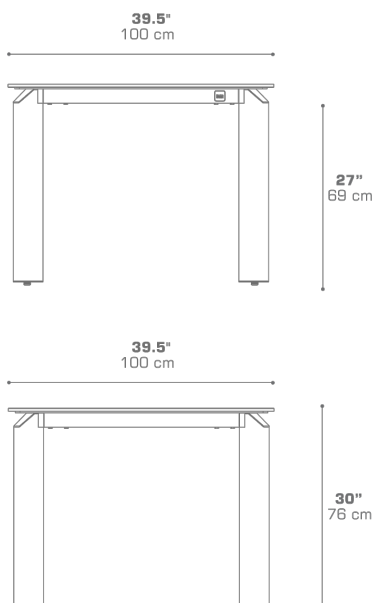


## TITAN Square Dining Table 39.5" / 100 cm (Sintered Stone)

TIT06ST



### DIMENSIONS



### CONFIGURATIONS

FRAME : Powder Coating Aluminum  
TOP : Sintered Stone

Protective Cover :  
TIT06PC Top table only  
TITPC-3 Table + 4 Chairs

### PACKING DETAILS

NW : 134 lb | 61 kg  
GW : 188 lb | 85.5 kg  
VOL : 15 ft<sup>3</sup> | 0.42 m<sup>3</sup>  
PU : 1 Crate & 2 Boxes

### DOWNLOAD MATERIALS

[Powder Coating Colors](#)  
[Sintered Stone](#)