

GLYPH Tea Table 23.5" / 60 cm (HPL Top | Stone Base)
GLY35



Protective cover available



Suitable for rooftop

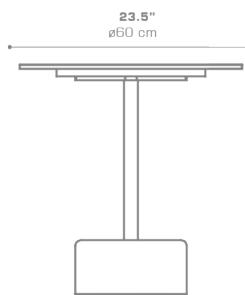
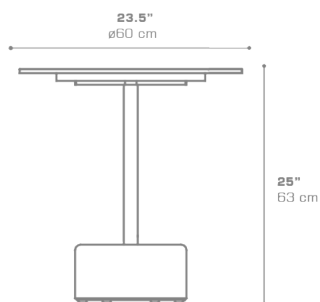


Heavier than regular items, suitable for more windy areas



Assembly

DIMENSIONS



CONFIGURATIONS

FRAME	: Powder Coated Aluminum Ultra Durable
BASE	: Stone
TOP	: High Pressure Laminate (HPL)

Protective Cover :
GLY01PC Protective Cover

PACKING DETAILS

VOL	: 7 ft3 0.19 m3
NW	: 68 lb 31 kg
GW	: 88 lb 40 kg
PU	: 2 Boxes

DOWNLOAD MATERIALS

[Powder Coating Colors](#)
[HPL](#)