

**GLYPH Bar Table 23.5" / 60 cm (Alu Top | Stone Base)**  
GLY28



Protective cover available



Suitable for rooftop

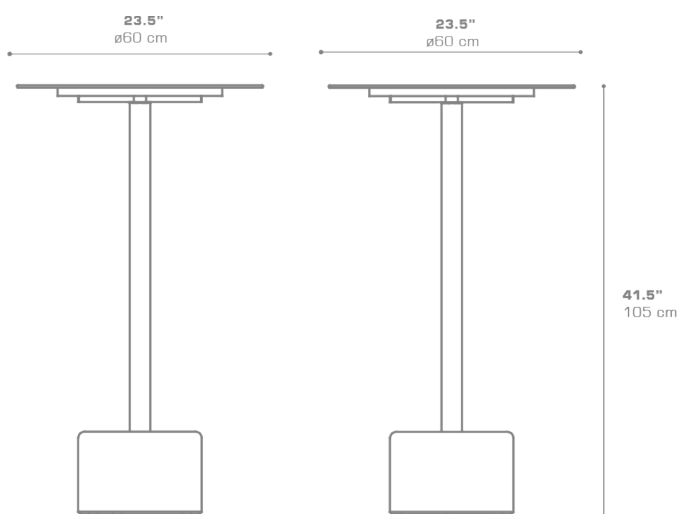


Heavier than regular items, suitable for more windy areas



Assembly

**DIMENSIONS**



**CONFIGURATIONS**

FRAME & TOP : Powder Coated Aluminum Ultra Durable

BASE : Stone

Protective Cover :  
GLY01PC Top table only  
GLYPC-3 Table + 2 Bar Chairs

**PACKING DETAILS**

VOL : 10 ft<sup>3</sup> | 0.28 m<sup>3</sup>

NW : 90 lb | 41 kg

GW : 112 lb | 51 kg

PU : 2 boxes

**DOWNLOAD MATERIALS**

[Powder Coating Colors](#)

**ADDITIONAL INFORMATION**



2