

**ESTATE Rectangular Counter Table (HPL)**  
EST68



Protective cover available



Suitable for rooftop



Heavier than regular items, suitable for more windy areas



Assembly

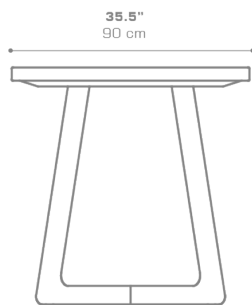
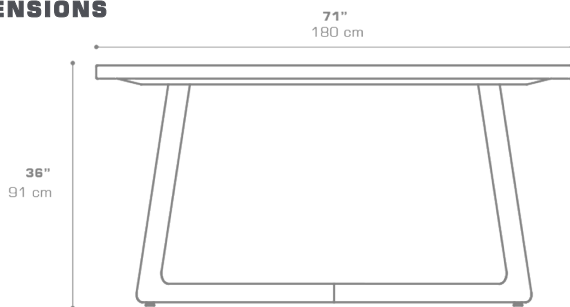


Partially handcrafted, random imperfections are part of the design



Adjustable

**DIMENSIONS**



**CONFIGURATIONS**

FRAME : Premium Teak | Whitewash  
TOP : High Pressure Laminate (HPL)

Protective Cover :  
EST66PC Top table only  
ESTPC-13 Table + 6 Counter Chairs

**PACKING DETAILS**

VOL : 20 ft3 | 0.56 m3  
NW : 141 lb | 64 kg  
GW : 176 lb | 80 kg  
PU : 2 Boxes

**DOWNLOAD MATERIALS**

[Teak](#)  
[HPL](#)

**ADDITIONAL INFORMATION**

