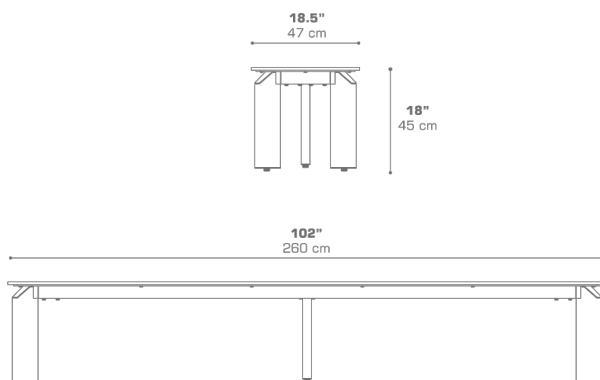


TITAN Bench 102" / 260 cm (HPL)
TIT08HPL**DIMENSIONS****CONFIGURATIONS**

FRAME	: Powder Coating Aluminum
SEATREST	: High Pressure Laminate (HPL)

PACKING DETAILS

NW	: 150 lb 68 kg
GW	: 171.5 lb 78 kg
VOL	: 8.5 ft ³ 0.24 m ³
PU	: 2 Boxes

DOWNLOAD MATERIALS

[Powder Coating Colors](#)
[HPL](#)