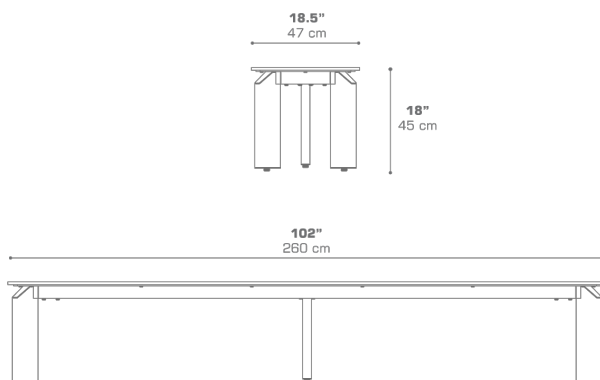


**TITAN Bench 102" / 260 cm (Teak)**  
TIT08TEAK

Protective cover available

**DIMENSIONS****CONFIGURATIONS**

FRAME : Powder Coating Aluminum  
SEATREST : Recycled Teak Brushed

Protective Cover :  
TIT08PC

**PACKING DETAILS**

VOL : 9 ft<sup>3</sup> | 0.26 m<sup>3</sup>  
NW : 154 lb | 70 kg  
GW : 176 lb | 80 kg  
PU : 2 Boxes

**DOWNLOAD MATERIALS**

[Powder Coating Colors](#)  
[Teak](#)