

**MUNIA NAYA Curved Left Hand Modular System  
(HPL Top | High Back)**  
MUN115H



Protective cover available



Floor Mounting is included



Suitable for rooftop

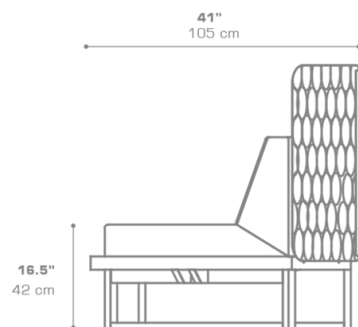
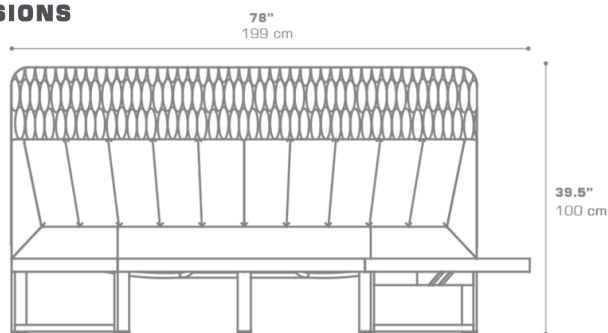


Partially handcrafted, random imperfections are part of the design



Heavier than regular items, suitable for more windy areas

**DIMENSIONS**



**CONFIGURATIONS**

FRAME	: Powder Coated Aluminum
SHELL	: Braiding
CUSHION	: Grade A   B   C   D   E
TOP	: High Pressure Laminate (HPL)

**PACKING DETAILS**

VOL	: 83 ft <sup>3</sup>   2.35 m <sup>3</sup>
NW	: 95 lb   43 kg
GW	: 146 lb   66 kg
PU	: 1 / box
COM	: 6.5 ly

**DOWNLOAD MATERIALS**

[Powder Coating Colors](#)

[Textiles](#)

[HPL](#)

[Braiding](#)