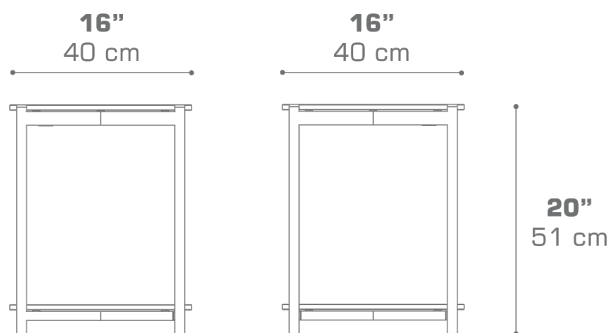


## TITAN Side Table with Shelf 16" / 40 cm (Sintered Stone)

TITO4ST



### DIMENSIONS



### CONFIGURATIONS

FRAME : Powder Coating Aluminum  
TOP : Sintered Stone

Protective Cover :  
TITO4PC

### PACKING DETAILS

NW : 24 lb | 11 kg  
GW : 39.5 lb | 18 kg  
VOL : 5 ft<sup>3</sup> | 0.14 m<sup>3</sup>  
PU : 1 Crate & 1 Box

### DOWNLOAD MATERIALS

[Powder Coating Colors](#)  
[Sintered Stone](#)