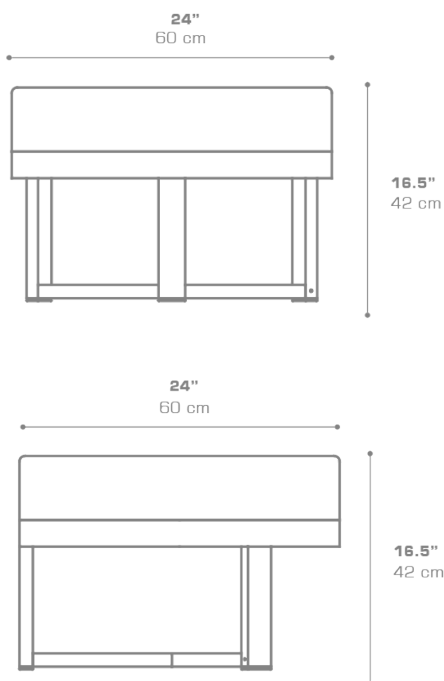


**MUNIA Ottoman**  
MUN008



Protective cover available

**DIMENSIONS**



**CONFIGURATIONS**

FRAME : Powder Coated Aluminum  
CUSHION : Grade A | B | C | D | E

Protective Cover :  
MUN008PC

**PACKING DETAILS**

VOL : 7 ft3 | 0.19 m3  
NW : 15 lb | 7 kg  
GW : 29 lb | 13 kg  
PU : 1 / box

**DOWNLOAD MATERIALS**

[Powder Coating Colors](#)  
[Textiles](#)