

MUNIA NAYA Modular System MUN117



Protective cover available



Suitable for rooftop

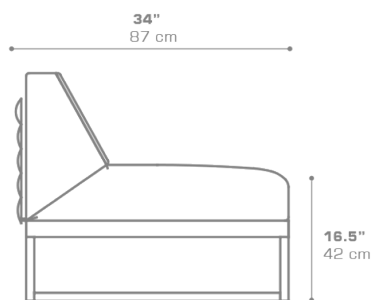
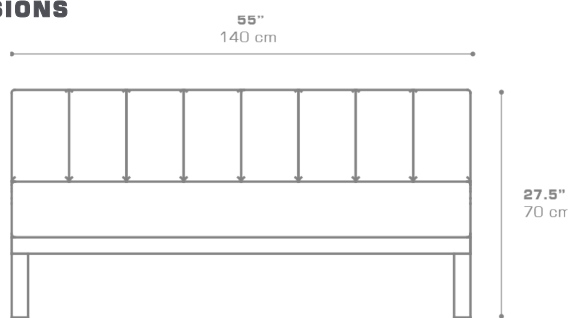


Heavier than regular items, suitable for more windy areas



Partially handcrafted, random imperfections are part of the design

DIMENSIONS



CONFIGURATIONS

FRAME	: Powder Coated Aluminum
SHELL	: Braiding
CUSHION	: Grade A B C D E

PACKING DETAILS

VOL	: 33 ft ³ 0.94 m ³
NW	: 62 lb 28 kg
GW	: 86 lb 39 kg
PU	: 1 / box
COM	: 5.5 ly

DOWNLOAD MATERIALS

[Powder Coating Colors](#)

[Textiles](#)

[Braiding](#)