

TITAN Square Dining Table 39.5" / 100 cm (HPL)
TIT06HPL

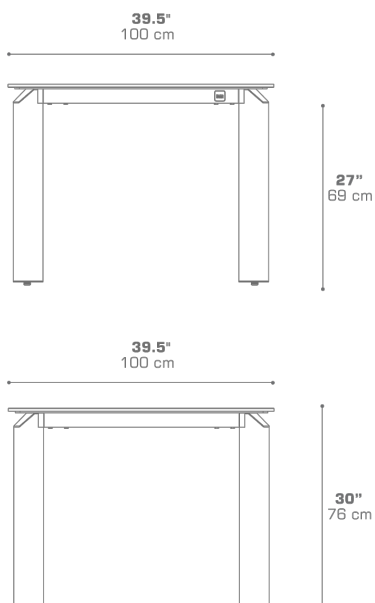


Protective cover available



ADA compliant / wheelchair accessible

DIMENSIONS



CONFIGURATIONS

FRAME : Powder Coating Aluminum
TOP : High Pressure Laminate (HPL)

Protective Cover :
TIT06PC Top table only
TITPC-3 Table + 4 Chairs

PACKING DETAILS

VOL : 8.5 ft³ | 0.24 m³
NW : 113 lb | 51 kg
GW : 131.5 lb | 60 kg
PU : 2 Boxes

DOWNLOAD MATERIALS

[Powder Coating Colors](#)
[HPL](#)