

MUNIA MO Corner
MUN020

Protective cover available



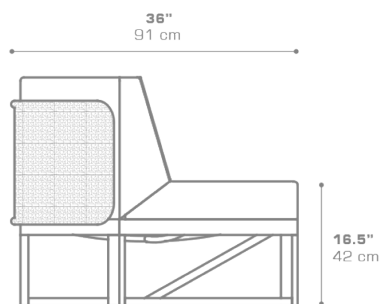
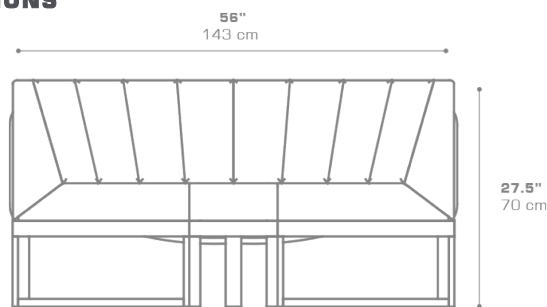
Suitable for rooftop



Heavier than regular items, suitable for more windy areas



Partially handcrafted, random imperfections are part of the design

DIMENSIONS**CONFIGURATIONS**

FRAME	: Powder Coated Aluminum
SHELL	: Fiber Weave Flat Patterns
CUSHION	: Grade A B C D E

PACKING DETAILS

VOL	: 31 ft ³ 0.87 m ³
NW	: 51 lb 23 kg
GW	: 77 lb 35 kg
PU	: 1 / box
COM	: 5.5 ly

DOWNLOAD MATERIALS[Powder Coating Colors](#)[Textiles](#)[Weaving Flat Pattern](#)