

GLYPH Bar Table 23.5" / 60 cm (Alu Top | Stone Base)
GLY28



Protective cover available



Suitable for rooftop

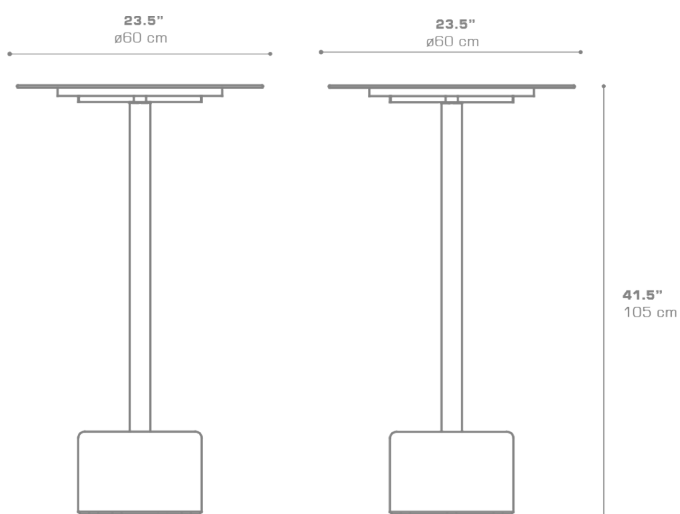


Heavier than regular items, suitable for more windy areas



Assembly

DIMENSIONS



CONFIGURATIONS

FRAME & TOP : Powder Coated Aluminum Ultra Durable

BASE : Stone

Protective Cover :
GLY01PC
GLYPC-3 Protective Cover
GLYPH Bar Table Dia 23.5" / 60 Cm + 2 Bar Chairs

PACKING DETAILS

NW : 90 lb | 41 kg
GW : 112 lb | 51 kg
VOL : 10 ft3 | 0.28 m3
PU : 2 boxes

DOWNLOAD MATERIALS

[Powder Coating Colors](#)

ADDITIONAL INFORMATION



2