

ESTATE Rectangular Bar Table (HPL)
EST66



Protective cover available



Suitable for rooftop



Heavier than regular items, suitable for more windy areas



Assembly

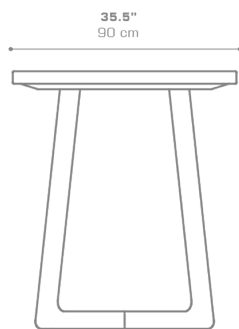
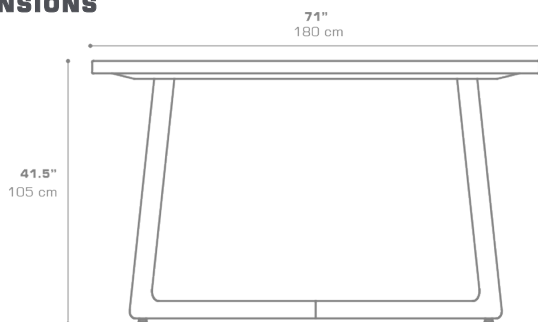


Partially handcrafted, random imperfections are part of the design



Adjustable

DIMENSIONS



CONFIGURATIONS

FRAME : Premium Teak | Whitewash
TOP : High Pressure Laminate (HPL)

Protective Cover :
EST66PC Top table only
ESTPC-12 Table + 6 Bar Chairs

PACKING DETAILS

VOL : 22 ft3 | 0.62 m3
NW : 146 lb | 66 kg
GW : 181 lb | 82 kg
PU : 2 Boxes

DOWNLOAD MATERIALS

[Teak](#)
[HPL](#)

ADDITIONAL INFORMATION



6