

**MUNIA NAYA Island 75" / 190 cm**  
MUN111



Protective cover available



Suitable for rooftop

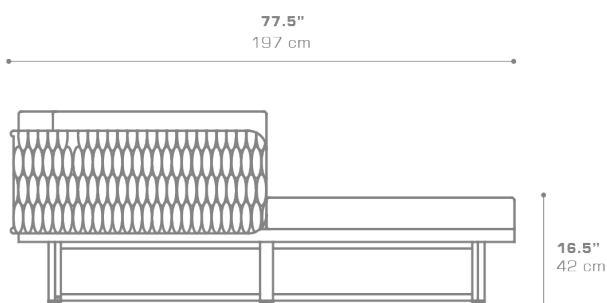
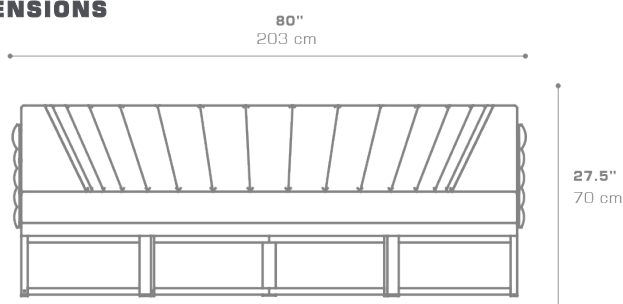


Heavier than regular items, suitable for more windy areas



Partially handcrafted, random imperfections are part of the design

**DIMENSIONS**



**CONFIGURATIONS**

- FRAME : Powder Coated Aluminum
- SHELL : Braiding
- CUSHION : Grade A | B | C | D | E

Protective Cover :  
MUN011PC

**PACKING DETAILS**

- VOL : 150ft<sup>3</sup> | 4.25 m<sup>3</sup>
- NW : 141 lb | 64 kg
- GW : 511 lb | 232 kg
- PU : Crate
- COM : 11.5 ly

**DOWNLOAD MATERIALS**

- [Powder Coating Colors](#)
- [Textiles](#)
- [Braiding](#)