

MUNIA NAYA Hug
MUN112



Protective cover available



Suitable for rooftop

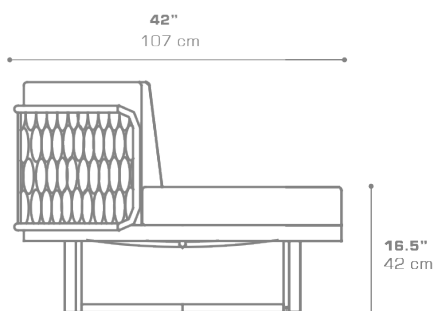
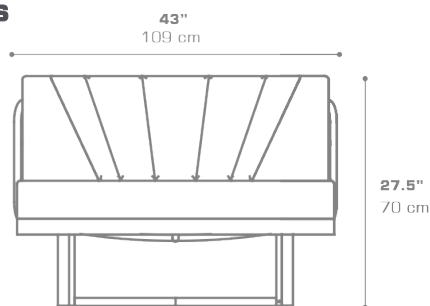


Heavier than regular items, suitable for more windy areas



Partially handcrafted, random imperfections are part of the design

DIMENSIONS



CONFIGURATIONS

FRAME : Powder Coated Aluminum
SHELL : Braiding
CUSHION : Grade A | B | C | D | E

Protective Cover :
MUN012PC

PACKING DETAILS

VOL : 33 ft3 | 0.94 m3
NW : 51 lb | 23 kg
GW : 77 lb | 35 kg
PU : 1 / box
COM : 5.5 ly

DOWNLOAD MATERIALS

[Powder Coating Colors](#)
[Textiles](#)
[Braiding](#)