

**GLYPH Tea Table Square 23.5" / 60 cm (HPL Top | Stone Base)**  
GLY135

Protective cover available



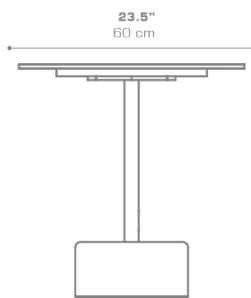
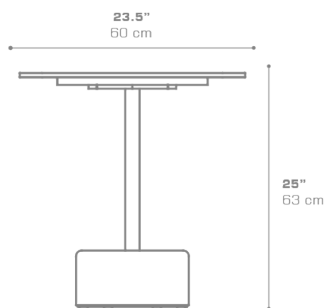
Suitable for rooftop



Heavier than regular items, suitable for more windy areas



Assembly

**DIMENSIONS****CONFIGURATIONS**

FRAME	: Powder Coated Aluminum Ultra Durable
BASE	: Stone
TOP	: High Pressure Laminate (HPL)

Protective Cover :  
GLY101PC Protective Cover**PACKING DETAILS**

VOL	: 7 ft3   0.19 m3
NW	: 73 lb   33 kg
GW	: 93 lb   42 kg
PU	: 2 Boxes

**DOWNLOAD MATERIALS**

[Powder Coating Colors](#)  
[HPL](#)