

GLYPH Tea Table Square 23.5" / 60 cm (HPL Top | Stone Base)
GLY135

Protective cover available



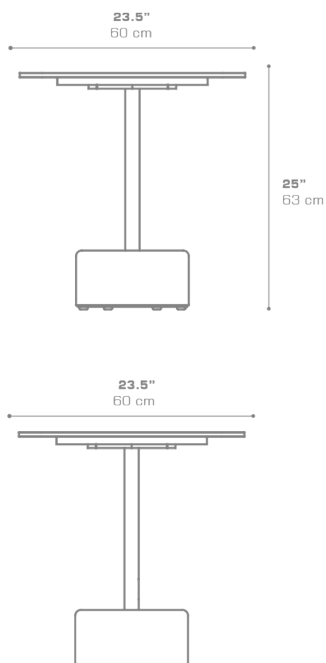
Suitable for rooftop



Heavier than regular items, suitable for more windy areas



Assembly

DIMENSIONS**CONFIGURATIONS**

FRAME	: Powder Coated Aluminum Ultra Durable
BASE	: Stone
TOP	: High Pressure Laminate (HPL)

Protective Cover :
GLY101PC Protective Cover

PACKING DETAILS

VOL	: 7 ft3 0.19 m3
NW	: 73 lb 33 kg
GW	: 93 lb 42 kg
PU	: 2 Boxes

DOWNLOAD MATERIALS

[Powder Coating Colors](#)
[HPL](#)